

PHOENIX Machinery

PMV206

Keep Breathing



Phoenix Medical Ventilator 206 – PMV206

The **PMV206** is a highly versatile and user-friendly ventilator designed with the patient and clinician in mind. The high-performance European pneumatic components deliver precisely timed and controlled breaths to the patient whether a pediatric or an adult. The high-precision proportional solenoid (PSOL) valves and transmitters combined with a dual control processing provide outstanding reliability and maintenance-free design.

The **PMV206** is uniquely designed with dual independently processing units comprised of a Microsoft Windows 10 mini computer and a Programmable Logic Controller (PLC) offering a redundancy feature that guarantees the accuracy required by today's patients. This double processor system is used to insure a continuous operation with paired calculation abilities for constant monitoring and control coupled with internal calibration.

A 12 inch touch screen displaying all the important information and graphs at once governs this unique dual processor on the **PMV206** to allow clinicians to monitor the patient and provide the best care.

The **PMV206** sophisticated software algorithm can provide breaths to the patient in invasive or non-invasive ventilation (NIV). The modes running on the ventilator include the Volume Targeted Mode, Pressure Targeted Mode, and the combined mode providing Pressure Regulated Volume Control mode (PRVC). In addition to supporting the patient's weaning from the ventilator and facilitating the process for the caretaker, all the above modes could be run with a spontaneous synchronized pressure triggered ventilation by either flow trigger or pressure trigger.

The **PMV206** is built from top to bottom with an emphasis on the patient's comfort and safety as well as the clinician's peace of mind.

Technical Specifications

Patient Type:

Adult- Pediatric

Modes of Ventilation:

Volume Control (Mandatory and Assisted)

Pressure Control (Mandatory and Assisted)

Pressure Regulated Volume Control (PRVC) Mode

Assisted through pressure or flow triggered

Control/Settings Ranges:

Tidal volume: 20 to 2000 ml

Inspiration flow: 0 to 180 L/min

Inspiratory pressure: 0 - 100 cmH2O

Respiratory rate: approx.1 to 120/min

Inspiratory time: 0 - 3s

Expiratory time: 1- 8s

I/E Ratio: 1:4 to 4:1

FiO2: 21% - 100%

PEEP: Approx. 0 to 45 cmH2O

Pressure support: 0 - 45 cmH2O

Pressure trigger mechanism

Pressure trigger sensitivity: approx. 2 to 10 cmH2O

Auto 100% O2 button

Control panel lock

Alarm Settings:

Set all the limits for alarming the caregiver

Alarm and Events Log:

All alarms are logged with a time stamp

Alarm resolution is logged with a time stamp

Any change in modes or setting are logged in Events

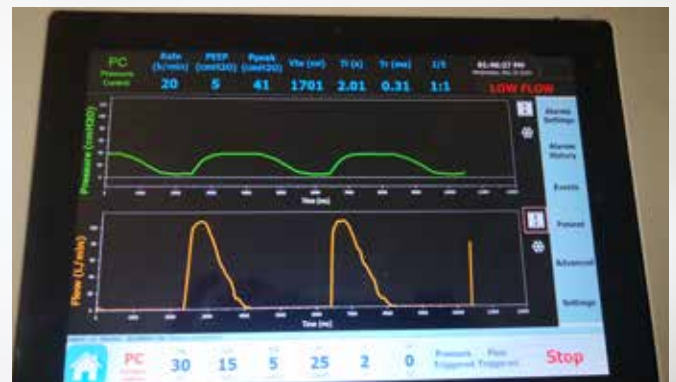
Patient Information with History Log:

Full patient info can be logged into the Ventilator

History and Events Log are connected to the patient file

Default Patient Setting based on Gender and Age

Pre-set modes programmed by the Doctor for quick selection by Caregiver



12" Touch Screen



Technical Specifications

Monitored and Displayed Parameters:

Peak Inspiratory Pressure
PEEP
Inspiratory Tidal Volume
Expiratory Tidal Volume
Inspiratory Time
Rise Time
Analyzed/FiO2%
Respiratory Rate
I/E Ratio
Battery charge level indicator
Waveform for Pressure, Volume, and Flow
Message display, reporting ventilator and patient alarms

Patient Alarms:

Low pressure
High pressure
Low flow
High flow
Low tidal volume
High tidal volume
Patient disconnection

Ventilator Alarms:

AC Power OFF
DC Power OFF
Low Air Pressure
Low O2 pressure
Low battery

Alarms

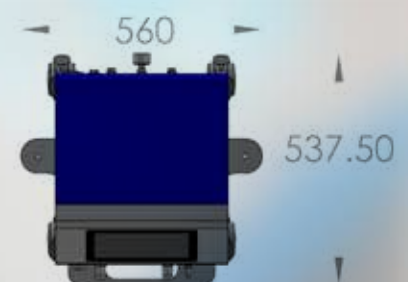
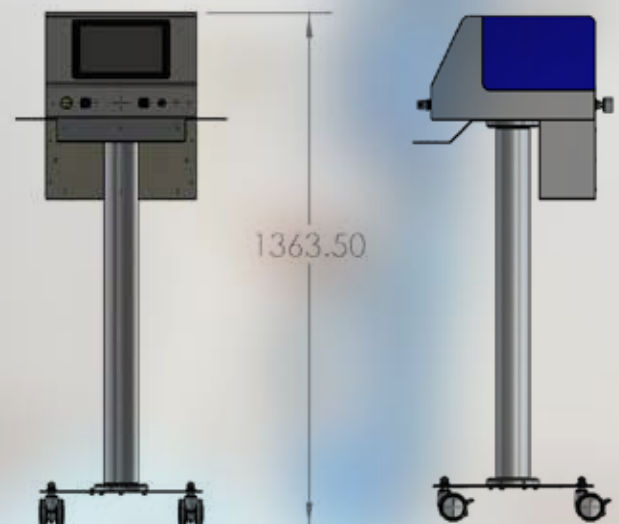
Categorized into low and high Priority
Different visual and audible signals for each category

Other Features

Self Test process
Calibration process
Local area network card
Power: Works on mains and batteries
Mains: AC 220 - 240 volt 50/60Hz
Battery: Sealed rechargeable type with a capacity of at least 1 hour
Battery backed memory for all settings, alarms, and events



Ergonomically Designed



Technical Specifications

Recommended Spare Parts List:

- PEEP Valve
- Proportional Valve
- Flow Sensor
- Pressure Sensor
- Pressure Switch
- Pressure Regulator
- Solenoid Valve
- Check Valve

Unit Weight 55 kg.



Clinically Tested

